

Why anchor?

- Prevent furniture from being moved
- Ensuring safety (preventing tilting)
- Keep legs in correct position (prevent seat deflection)

Which anchoring for which model?

Govaplast offers a suitable (optional or mandatory) anchoring solution for each model:

Anchoring type A: for models where the legs can be drilled.

1 set includes:

- 1 galvanized threaded rod DIN 975 M10 x 250 mm
- 1 stainless steel sleeve nut M10 x 20 mm

Example: bench Bonn, bench Canvas

Anchoring type B: for models where drilling into the legs is not possible.

1 set includes:

- 2 L-brackets
- 2 Torx screws (6 x 40 mm)
- 2 nail plugs (8 x 60 mm)

Example: planters

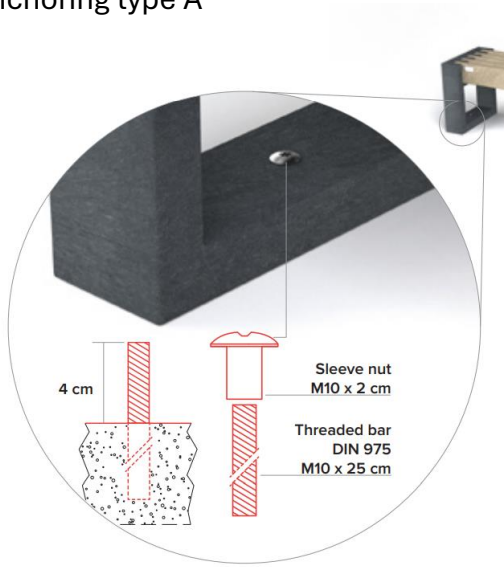
Some models have **extended legs** that are buried directly into the ground.

Example: table Oslo, bench Knokke, bench Paris, bench Level X

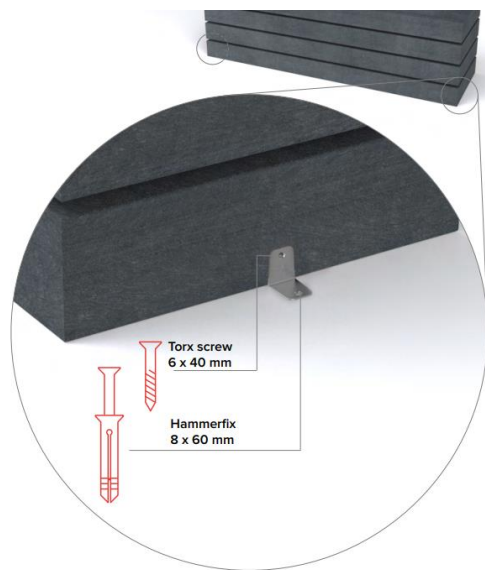
Sometimes, **eye bolts** are required. These are supplied by default when necessary.

Example: bench Porto, table Oslo

Anchoring type A



Anchoring type B



Set eye bolts



Example extended legs

