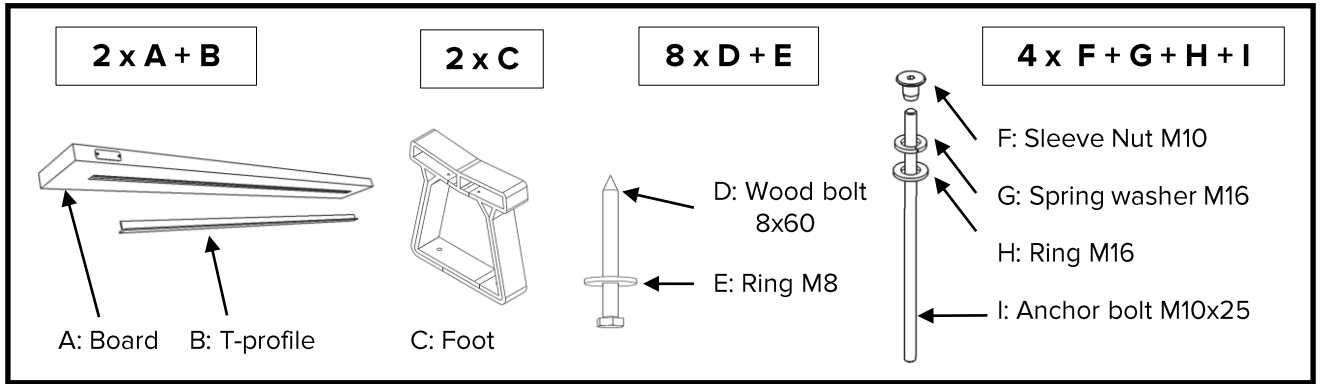
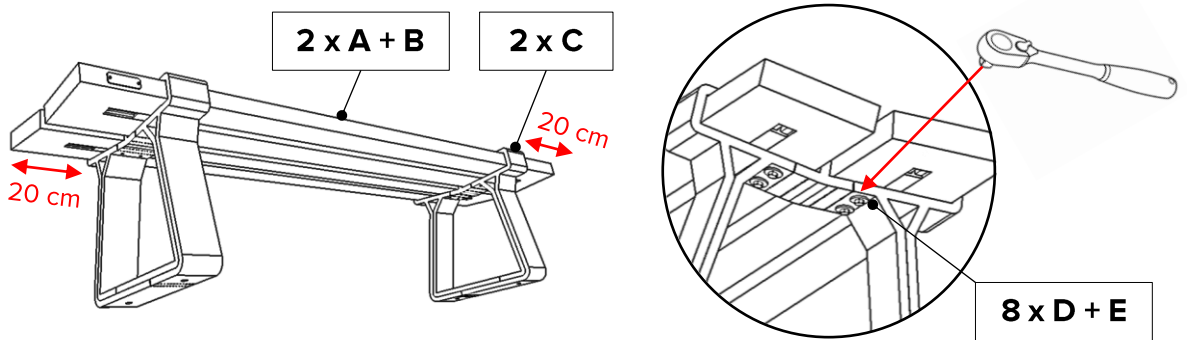


Riga 180 ZL



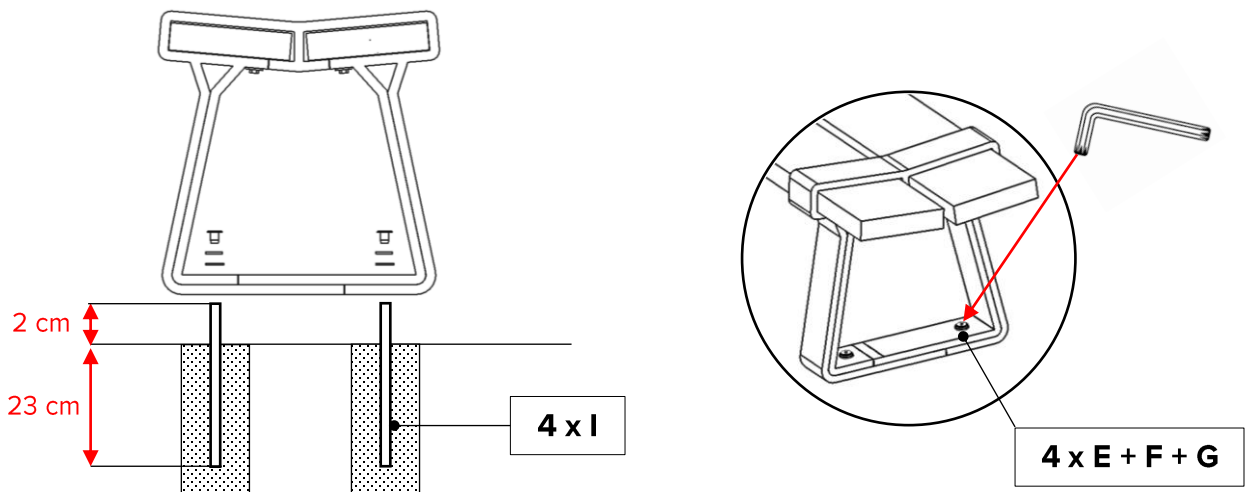
1. Assemble boards



Place T-profiles in boards and slide boards through feet

Fasten with bolts, use socket wrench nr. 13

2. Anchoring



Fix anchor bolts in concrete suitable for your situation

Fasten with sleeve nuts, use hex key 6mm

3. Finished Riga

