



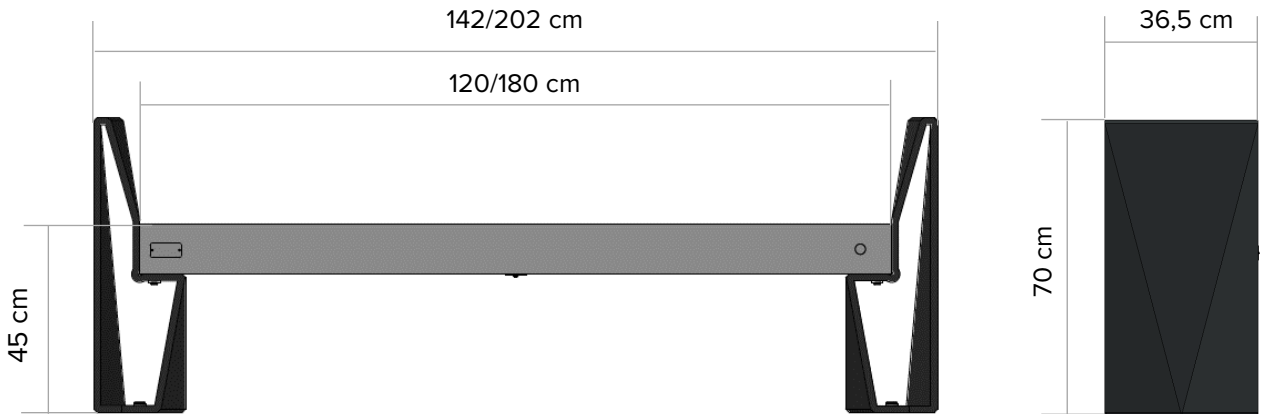
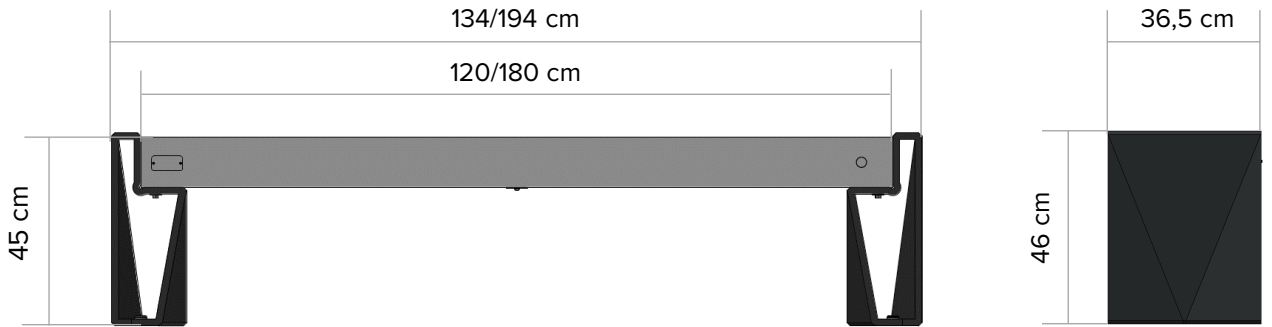
Prisma 120 and 180 (narrow)

with or without armrest

Recycled Govaplast boards in
combination with 3D-printed legs



measurements



Version 120: 57 kg
Version 120 with armrest: 63 kg
Version 180: 75 kg
Version 180 with armrest: 82 kg

available colours

Boards

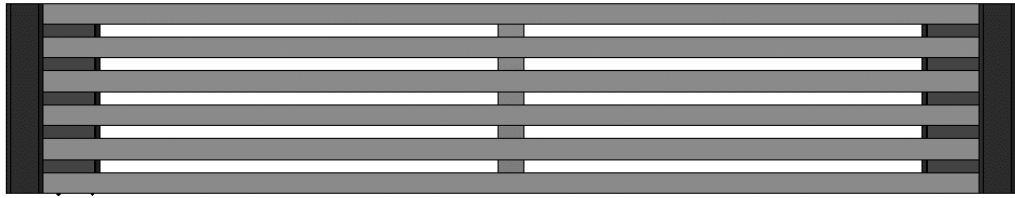
 Mineral Grey

 Sand Beige

Legs

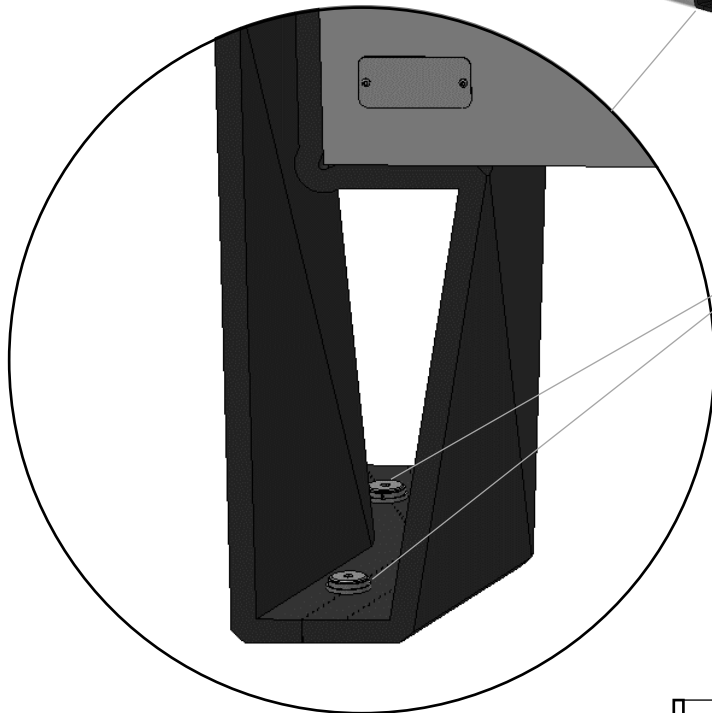
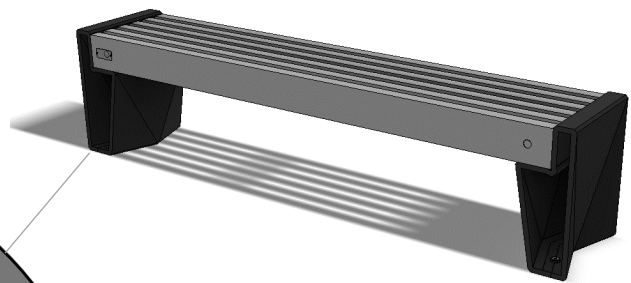
 Black

reinforcement



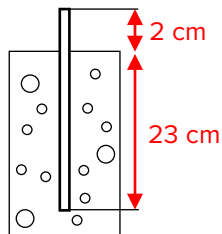
Metal strip screwed underneath the 6 boards

anchoring required



2 for each leg

- Stainless steel sleeve nut
M10 x 20 mm
- Stainless steel spring washer M16
- Stainless steel ring M16
- Galvanized threaded bar
M10 x 250 mm



Fix the threaded bar
in concrete suitable
for your situation



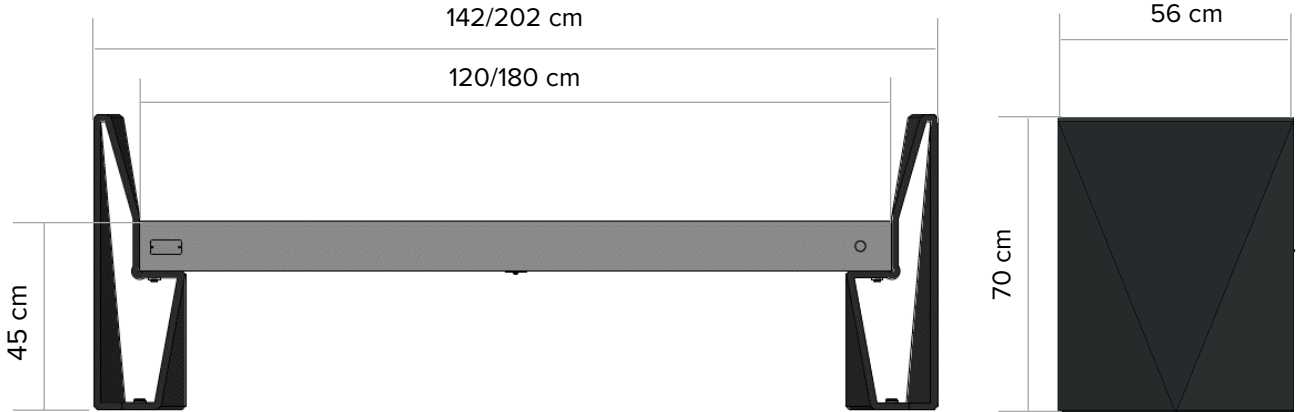
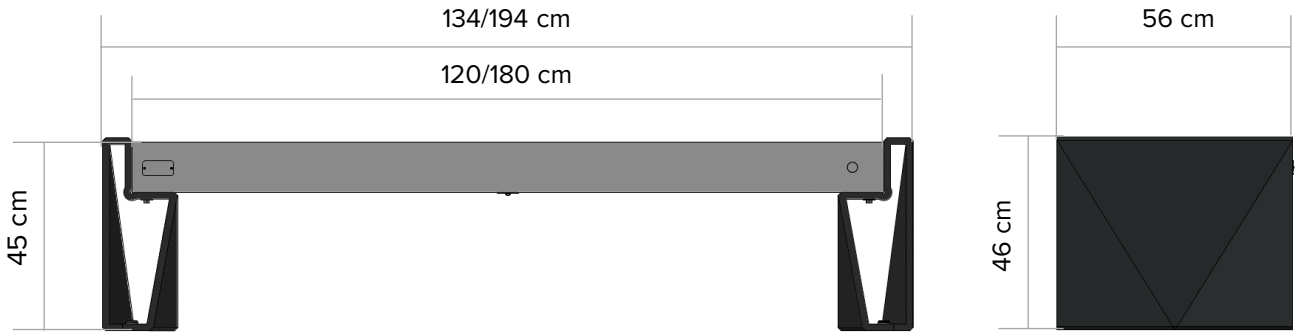
Prisma 120 and 180 (wide)

with or without armrest or backrest

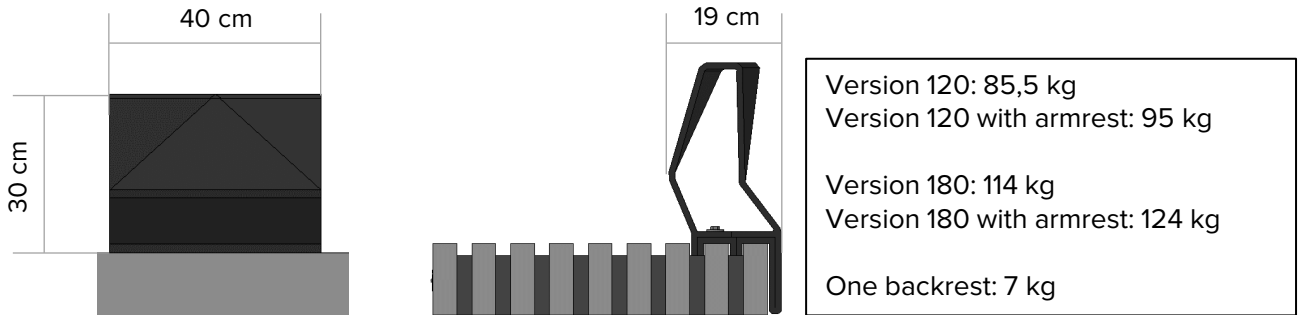
Recycled Govaplast boards in
combination with 3D-printed
legs and backrests



measurements



Optional backrest
Quantity and position free to choose



available colours

Boards

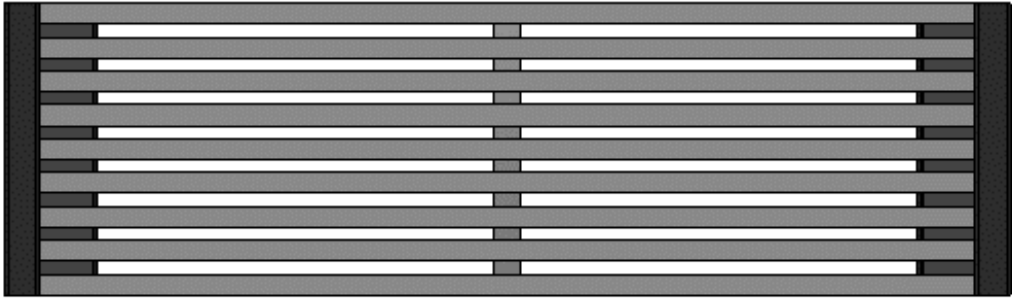
 Mineral Grey

 Sand Beige

Legs

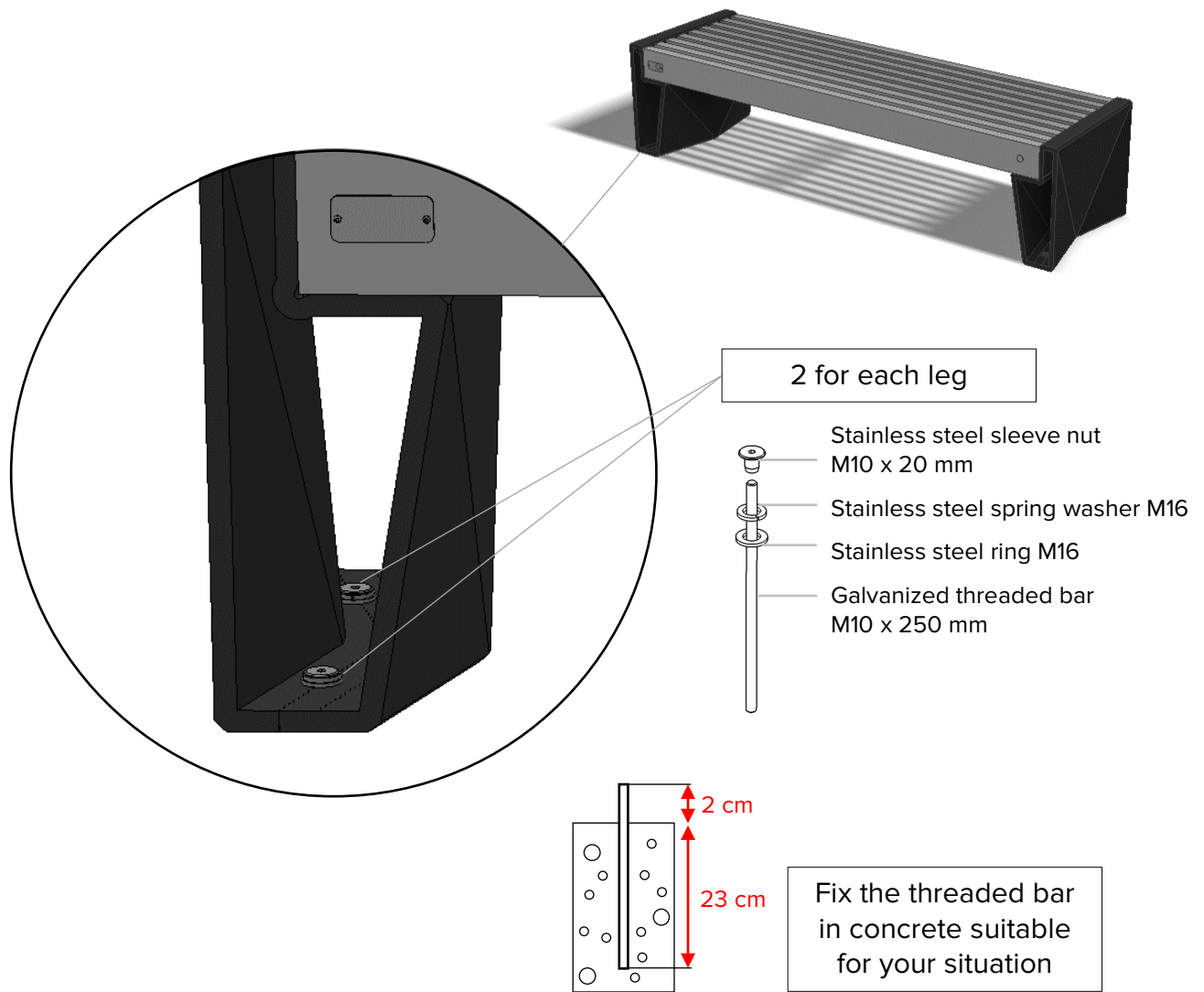
 Black

reinforcement



Metal strip screwed underneath the 9 boards

anchoring required





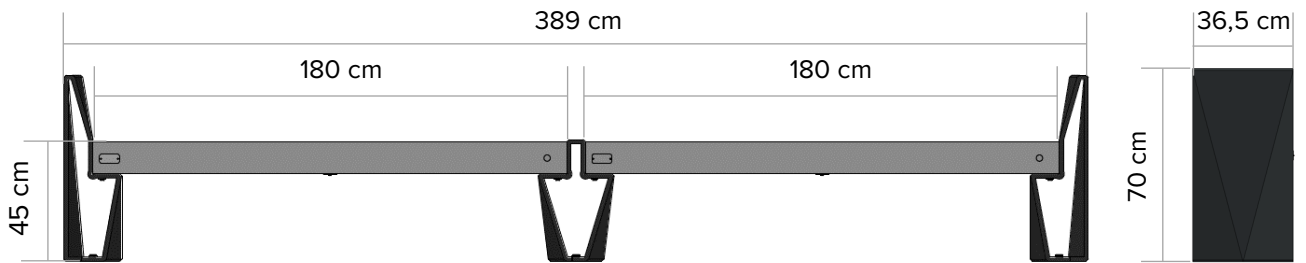
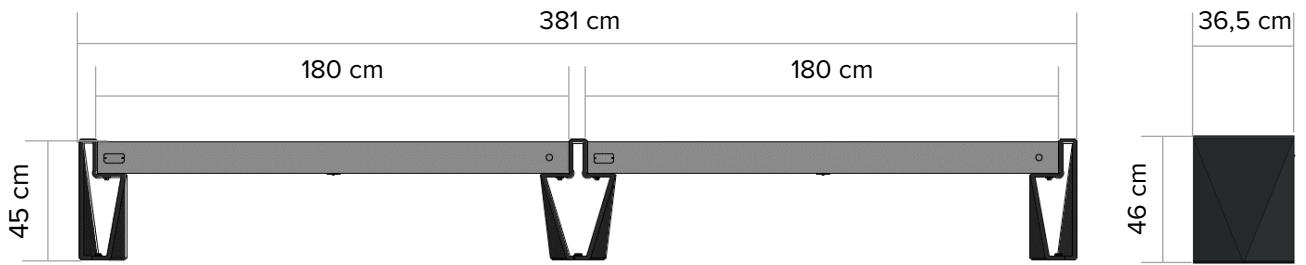
Prisma 360 (narrow)

with or without armrest

Recycled Govaplast boards in
combination with 3D-printed legs



measurements



Version 360: 145 kg
Version 360 with armrest: 152 kg

available colours

Boards

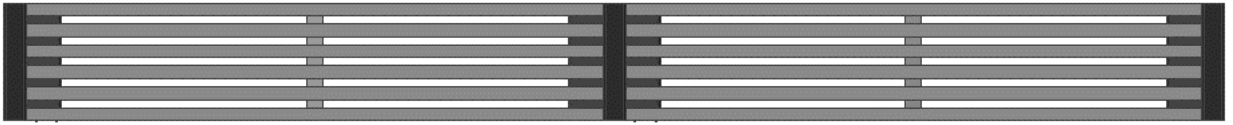
 Mineral Grey

 Sand Beige

Legs

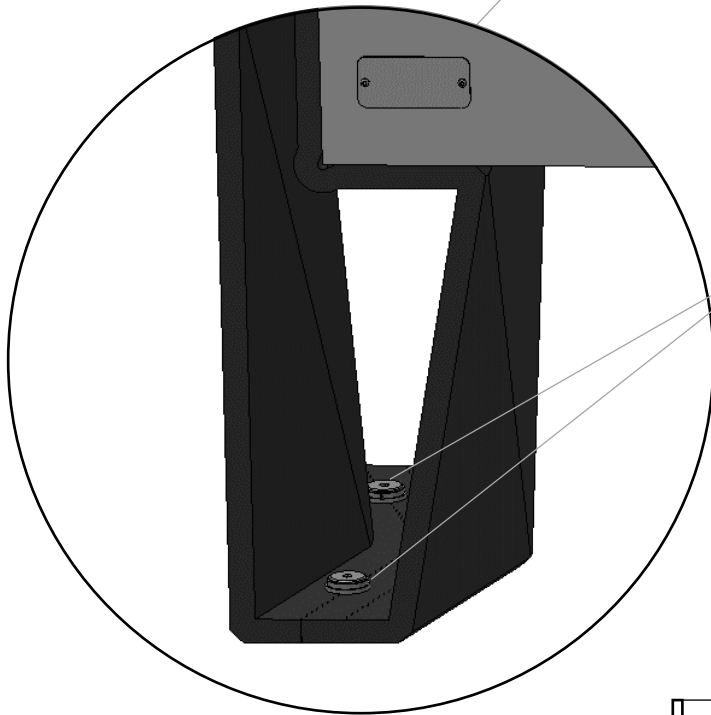
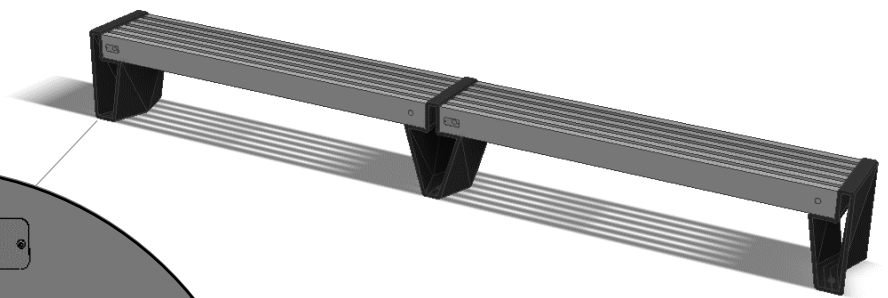
 Black

reinforcement



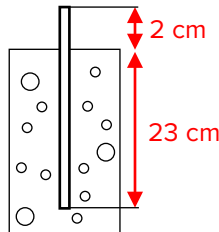
Metal strips screwed underneath the 6 boards

anchoring required



2 for each leg

- Stainless steel sleeve nut
M10 x 20 mm
- Stainless steel spring washer M16
- Stainless steel ring M16
- Galvanized threaded bar
M10 x 250 mm



Fix the threaded bar
in concrete suitable
for your situation

GOVA[®] street
PLAST



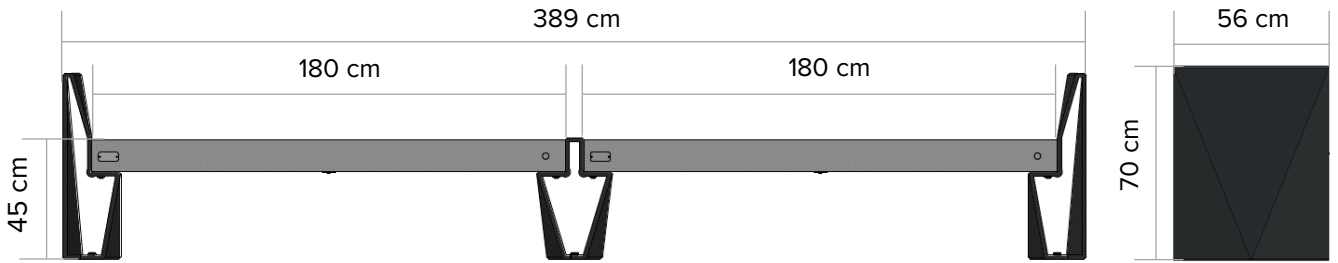
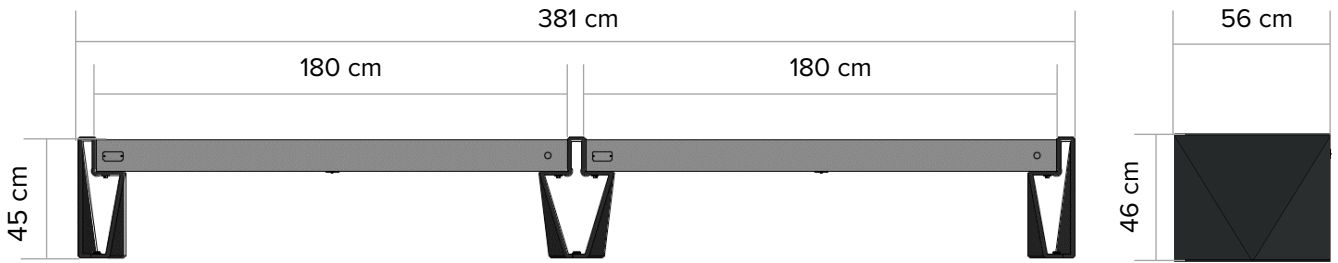
Prisma 360 (wide)

with or without armrest or backrest

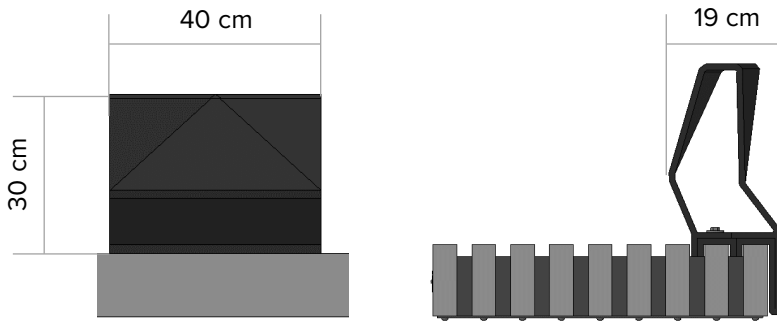


Recycled Govaplast boards in
combination with 3D-printed
legs and backrests

measurements



Optional backrest
Quantity and position free to choose



Version 360: 218,5 kg
Version 360 with armrest: 228 kg
One backrest: 7 kg

available colours

Boards



Mineral Grey



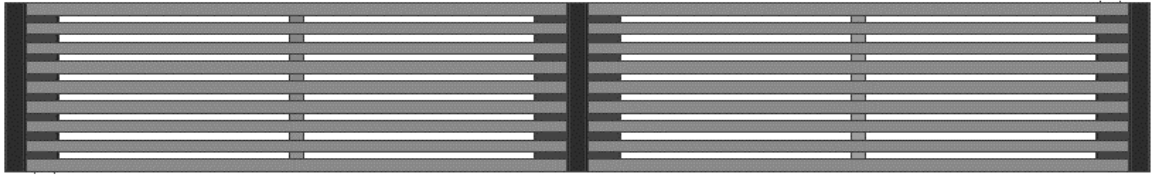
Sand Beige

Legs



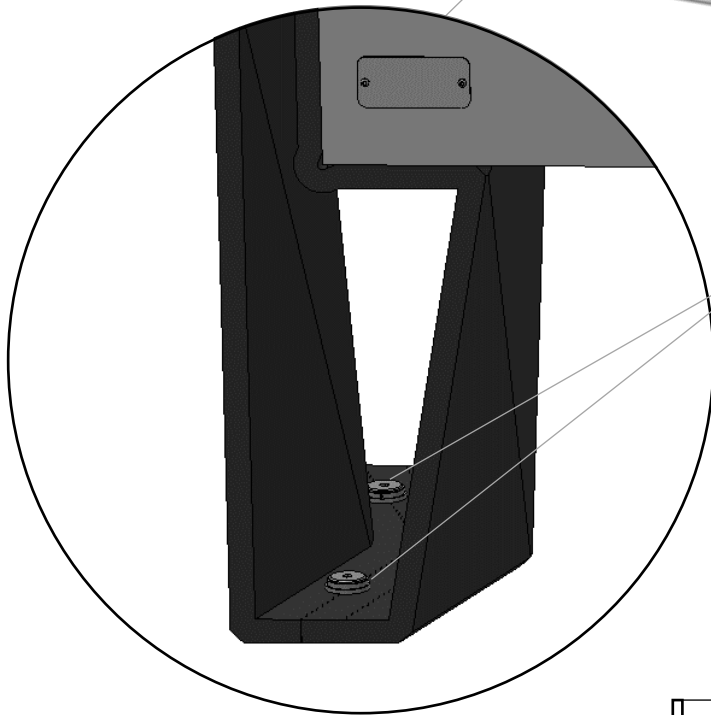
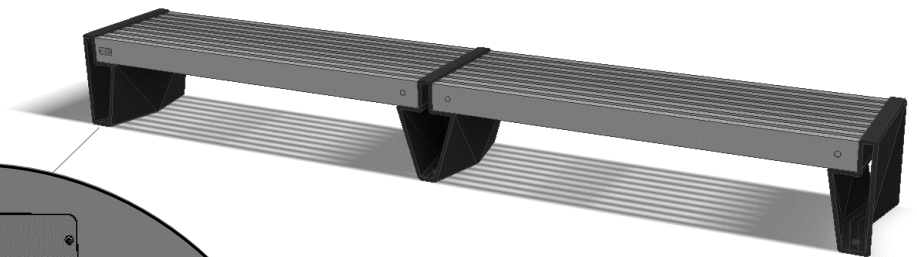
Black

reinforcement



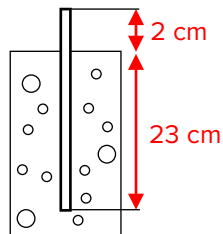
Metal strips screwed underneath the 9 boards

anchoring required



2 for each leg

- Stainless steel sleeve nut
M10 x 20 mm
- Stainless steel spring washer M16
- Stainless steel ring M16
- Galvanized threaded bar
M10 x 250 mm



Fix the threaded bar
in concrete suitable
for your situation