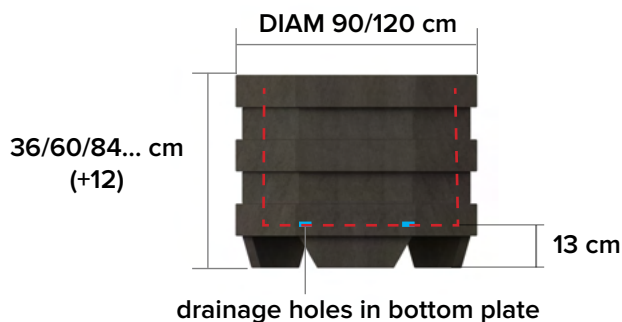




## Barcelona planter



## measurements

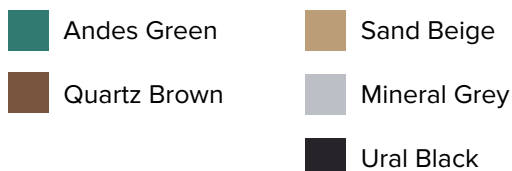


## models

WITHOUT SUPPORTS l x w x h	EMPTY WEIGHT (kg)	WITH SUPPORTS l x w x h	EMPTY WEIGHT (kg)
Ø 90 x 36	53	Ø 90 x 48	59
Ø 90 x 60	83	Ø 90 x 72	89
Ø 90 x 84	112	Ø 90 x 96	118
Ø 120 x 36	63	Ø 120 x 48	71
Ø 120 x 60	101	Ø 120 x 72	109
Ø 120 x 84	140	Ø 120 x 96	148



## available colours



## main advantages



100% plastic waste



Maintenance free



Rot-proof



Natural texture



Graffiti resistant



Splinter-free



Coloured throughout



Weatherproof



Completely recyclable

WITH AND WITHOUT SUPPORTS

